

AURORALIGHT

PROJECT: _____

SKU #: _____

TYPE: _____

GROUND STAKE

MGS001712

This Ground Stake is a robust, bold, and durable ground stake from Auroralight. The large ID is suitable for wire connections should you need to use it as a "Hub." Precision machined from solid C3600 brass rod, the top cap boasts a full eight threads and will deliver superior performance and durability.

- Perfect for loose or sandy soil conditions
- Ideal for heavyweight fixtures



CONFIGURATOR:

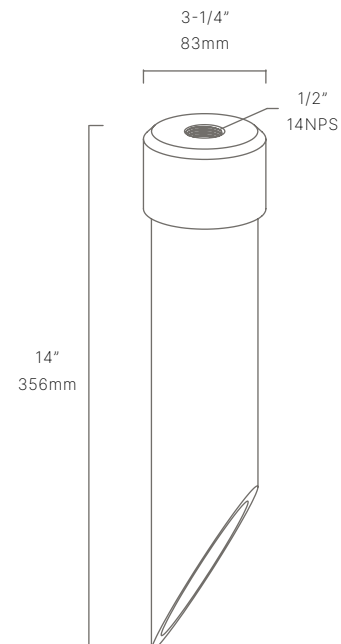
MGS001712	FINISH
() = Most common configuration	<input type="checkbox"/>
	(NAT) Natural Brass
	(BLP) Bronze Living Patina
	(BLPX) Extra Dark BLP
	(NI) Nickel PVD

AVAILABLE FINISHES:



DIMENSIONS	H14" x W3-1/4"
VOLTAGE	12V
FINISH	Included Natural Brass
MATERIAL	Brass & Sch. 80 PVC

*For complete warranty terms, please visit: www.auroralight.com/warranty/



P. 760.931.2910

O. 2742 Loker Ave. W Carlsbad CA 92010

W. www.auroralight.com

MADE IN USA
WITH DOMESTIC & IMPORTED MATERIALS

